

## Premium Preparation 1400 mm Sink Unit with 1 Bowl - Left drain

ITEM # \_\_\_\_\_

MODEL # \_\_\_\_\_

NAME # \_\_\_\_\_

SIS # \_\_\_\_\_

AIA # \_\_\_\_\_


**133108 (LG1416SXEN)**

 Sink Unit, with 1 bowl  
 (600x500x320mm) and left-  
 hand drainer, 1400mm

### Short Form Specification

**Item No.** \_\_\_\_\_

The 50mm high worktop in 304 AISI stainless steel, 1,2mm in thickness, is sound-deadened and has an overflow rim and welded corners. Integral rear upstand, h=100mm, with 10mm radius. All-round apron panelling in 304 AISI s/s.

Round section legs and feet in 304 AISI stainless steel, 50mm in diameter. Height-adjustable feet (+0-50mm).

Single-pressed, sound-deadened bowl mm 600x500x300h with overflow pipe and drain hole (2"). Left hand drainer inclined towards the bowl.

### Main Features

- Sturdiness, stability and reliability of table accurately tested.

### Construction

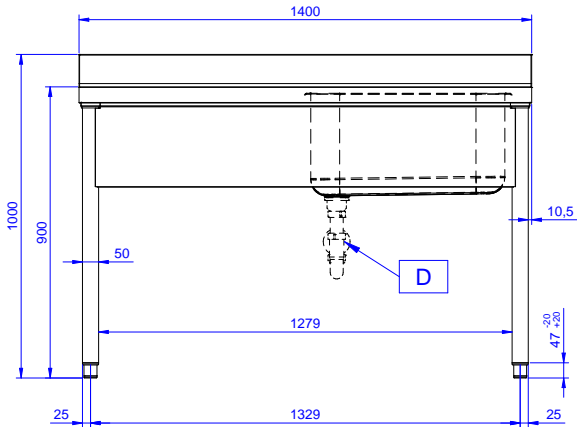
- 100 mm upstand with 10 mm radiused corner and 13 mm deep, designed to be used against a wall.
- Round section legs with feet in 304 AISI stainless steel, 50 mm in diameter, adjustable in height by +0/-40 mm.
- 50 mm thick lower shelf, in 304 AISI stainless steel, can be easily slotted into position, 200 mm from the floor.
- Delivered in knock-down package.
- Wide range of taps are available to suit every need.
- Drainage area suitable for drying operations
- Heavy duty construction entirely in AISI 304 stainless steel to offer maximum durability.

### Optional Accessories

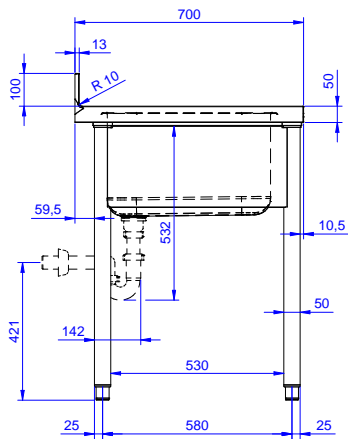
- Lower shelf for 1400mm for units PNC 855283
- Set of 4 wheels (2 with brake) d. 100mm PNC 855288
- 3-sided underframe for 1400mm tables PNC 855291
- Elbow operated mixer tap with spout 3/4", single hole PNC 855322
- Elbow operated mixer tap with short spout 3/4", single hole PNC 855323
- Foot operated mixer tap (hot and cold) with spout 3/4" PNC 855328
- Single plastic drain syphon 2" for Sinks PNC 895313

**APPROVAL:** \_\_\_\_\_

Front

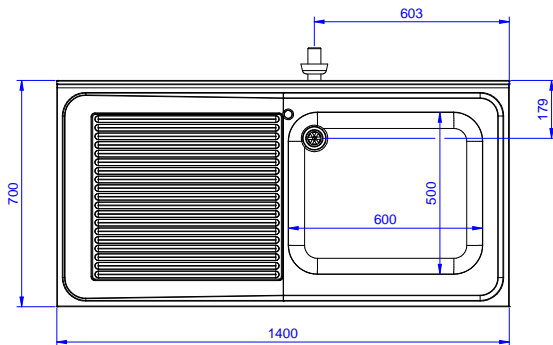


Side



D = Drain

Top





**Key Information:**

|                                 |              |
|---------------------------------|--------------|
| External dimensions,<br>Width:  |              |
| 133108 (LG1416SXEN)             | 1400 mm      |
| External dimensions,<br>Depth:  | 700 mm       |
| External dimensions,<br>Height: | 900 mm       |
| Upstand Dimensions,<br>Height:  | 100 mm       |
| Upstand Dimensions,<br>Depth:   | 13 mm        |
| Upstand Dimensions,<br>Radius:  | R=10         |
| Bowls number                    | 1            |
| Bowl dimensions                 | 600x500xH320 |
| Worktop thickness:              | 50 mm        |
| Net weight:                     | 46 kg        |

